

MP760 series PLC+HMI

Functions and Specialties

- ⌚ MP760 = TP760 + XC2-32
- ⌚ Integrate logic control, analog input/output, HMI in one body
 - Digital Input: 16 points
 - Digital Output: 16 points

Analog Option: Choose any of XP3-2PT2AD-BD、XP3-2TC-P-BD、XP3-4AD-BD,etc. at your will

- ⌚ Brief HMI edit interface with rich functions
- ⌚ LCD Display: 480×234 pixels (7inch) ; LCD's using life can reach 50 million hours
- ⌚ 26 function keys; set functions freely
- ⌚ Key-press is sensitive but precise;
- ⌚ The program port is designed to have multi-function: use one cable to program both HMI and PLC program;
- ⌚ Water-proof level fits with IP65;
- ⌚ Compact structure, save great space in the electrical control tank
- ⌚ Simple but fashion appearance

General Specifications

Input Voltage	AC220V
Power Consumption	Lower than 10W (TYP2.0W)
Momentary Power Off Allowance	Less than 20ms
Voltage Endurance	AC1000V-10mA 1min. (between signal and ground)
Insulated resistor	DC500V--about10M Ω (between signal and ground)
Operating Temperature	0~50℃
Storage Temperature	-10~60℃
Ambient Temperature	20~85% (No Dew)
Vibration Endurance	10~25Hz (X, Y, Z each direction 30 min.2G)
Anti-interference	Voltage Noise: 1000Vp-p
Surrounding Atmosphere	No corrosive gasses
Protection Structure	Fit with IP65F

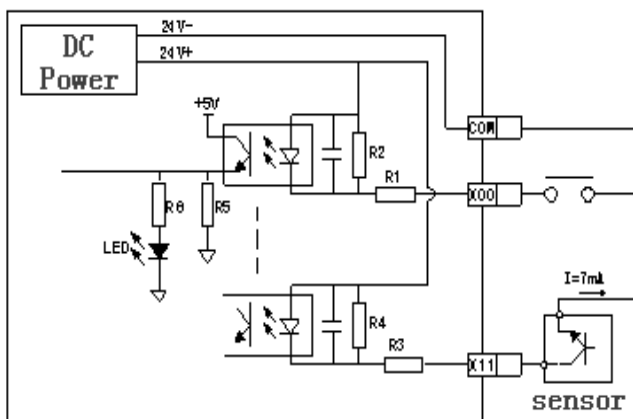
LED Indicate Lamp

PWR: Power supply indication, normally on when power is on

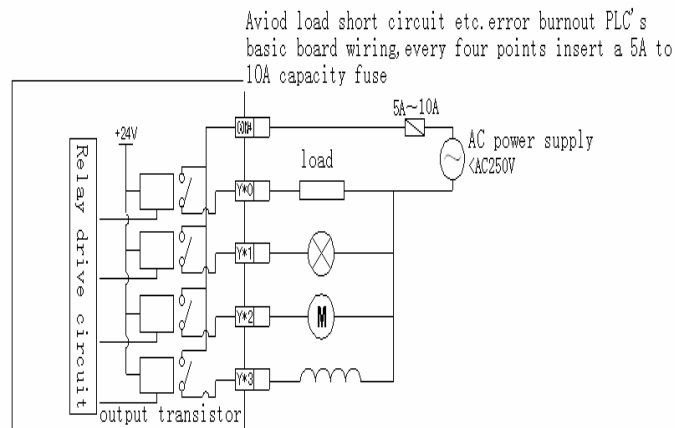
RUN: Program to control it on

STOP: Program to control it on/off

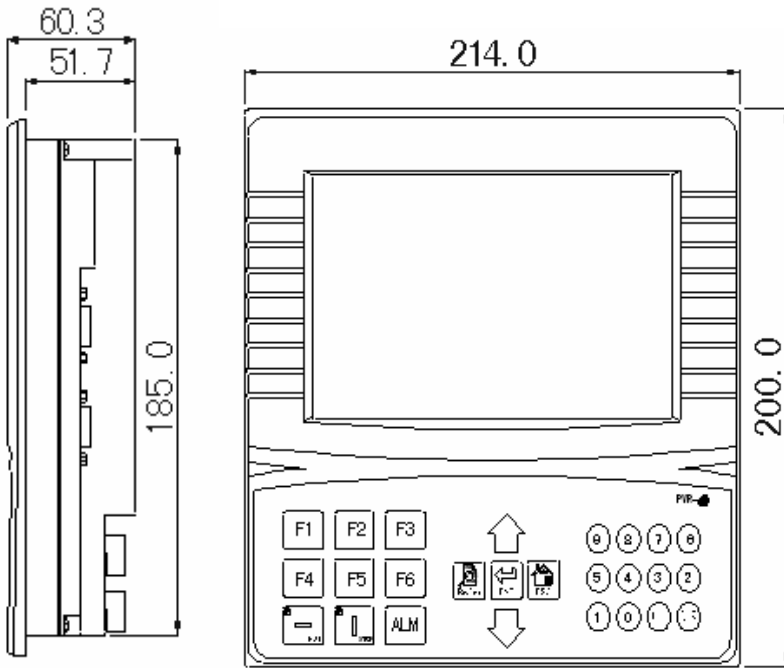
Input Wiring



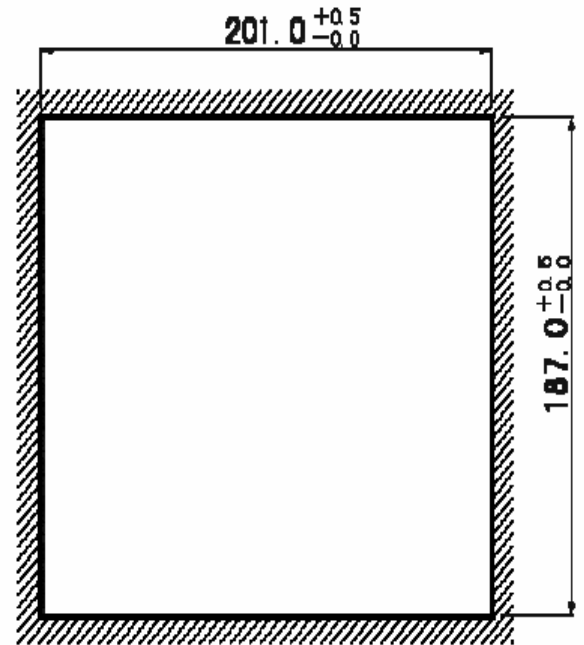
Output wiring



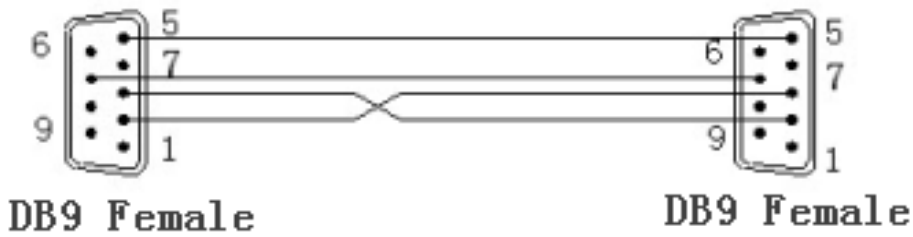
External dimension



Mounting dimension



Connection Cable for Programming



Download/communication port

(1) Download Port: Both the HMI and XC2 use the same RS232 download port.

Pin2	RXD
Pin3	TXD
Pin4	RTS
Pin5	GND

RS-485 Communication Port: be used to connect HMI with the slave equipments

A	Pin1
B	Pin9
PRT (short connect pin5 and pin6 to enable print function)	Pin6
DOWNLOAD (short connect pin5 and pin8 to force downloading)	Pin8

(2) Communication Port: The communication port for XC2 series PLC, RS-232 or RS-485

RXD	Pin2
TXD	Pin3
GND	Pin5